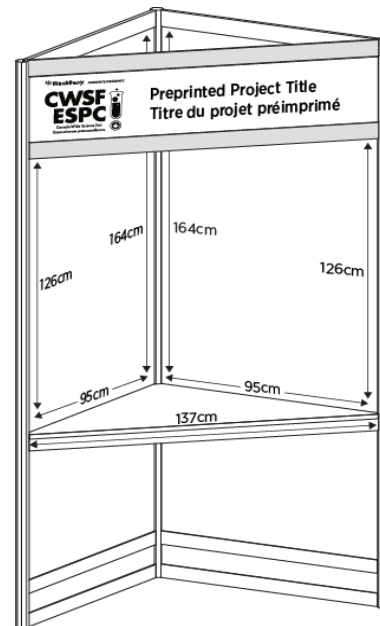
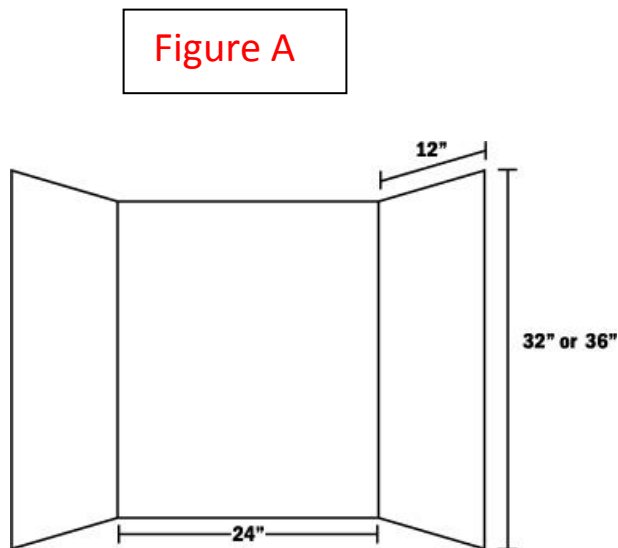


# NEW FOR 2016

Figure B



**NEW GUIDELINES REGARDING PROJECT SIZE.** All project elements **MUST** fit within the space provided (see Figure A) **on top of the table**. The backboard, report, devices, etc. **MUST** remain within the space provided. No part of the project may remain on the floor in front or beside the table. This is in keeping with Youth Science Canada and CWSF guidelines (see Figure B) and St. Clair College safety rules.

**NEW THIS YEAR: Electricity will no longer be provided.** You should create a video of your working device to present to the judges. Any extension chords that are plugged in will be disconnected.

**NEW THIS YEAR: Oversized Projects.** If your project exceeds the maximum size allowed (Figure A) then you **MUST** request space for an oversized project on your registration form. **If you do not request space, the oversized portion of your project will not be accepted for judging.**

**NEW THIS YEAR:** Any fluids as part of your project will be limited to **1 litre total**.